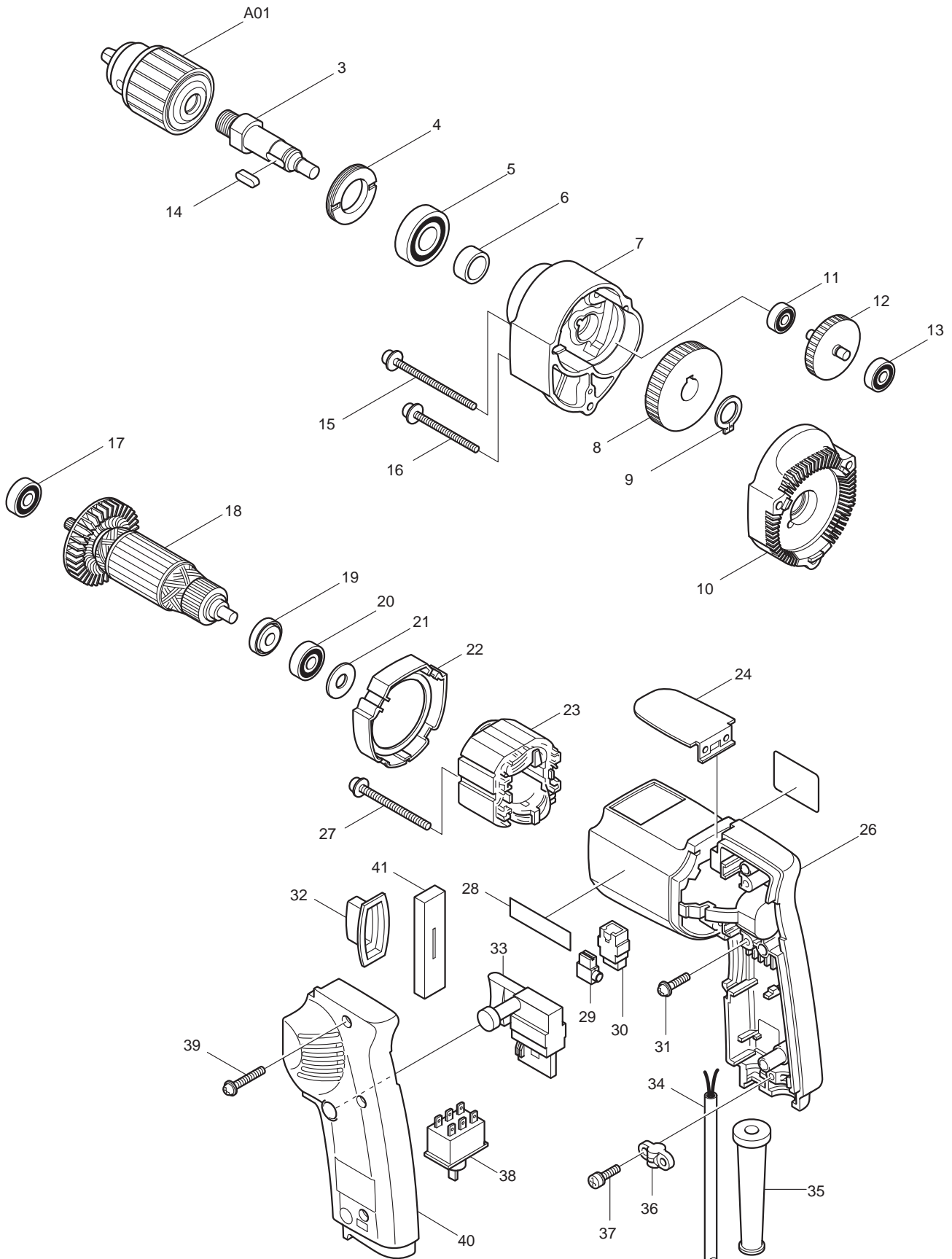




02 - 2010  
6302H / 6302HK  
1/2" DRILL V.S. 0-550RPM



Item No	Type	Ref	Part No	Description	Qty	Unit
3			324197-4	SPINDLE	1	PC.
4			285807-7	BEARING RETAINER 22-36	1	PC.
5			211206-7	BALL BEARING 6202LLB	1	PC.
6			257018-4	RING 15	1	PC.
7			151765-8	GEAR HOUSING COMPLETE	1	PC.
		INC.	263002-9	RUBBER PIN 4	1	PC.
		INC.	951051-5	SPRING PIN 3-8	1	PC.
8			221979-4	SPUR GEAR 52	1	PC.
9			961054-1	RETAINING RING S-14	1	PC.
10			157904-8	GEAR HOUSING COVER COMPLETE	1	PC.
		INC.	263002-9	RUBBER PIN 4	2	PC.
11			211012-0	BALL BEARING 606ZZ	1	PC.
12			226078-7	GEAR COMPLETE 7-46	1	PC.
13			211020-1	BALL BEARING 626Z	1	PC.
14			254211-1	KEY 5	1	PC.
15			911193-7	PAN HEAD SCREW M4X65	2	PC.
16			911178-3	PAN HEAD SCREW M4X50	1	PC.
17			211031-6	BALL BEARING 608LLB	1	PC.
18			511836-7	ARMATURE ASS'Y 115V	1	PC.
		INC.	241881-5	FAN 52	1	PC.
		INC.		Item No. 17,19,20		
19			681614-0	INSULATION WASHER	1	PC.
20			211028-5	BALL BEARING 627LB	1	PC.
21			253192-6	FLAT WASHER 14	1	PC.
22			414594-3	BAFFLE PLATE	1	PC.
23			633056-4	FIELD 115V	1	PC.
24			343407-0	HOOK	1	PC.
26			159010-5	MOTOR HOUSING COMPLETE	1	PC.
		INC.	263014-2	RUBBER PIN 4	1	PC.
27			911581-8	PAN HEAD SCREW M4X55	2	PC.
28			819063-3	MAKITA LABEL	1	PC.
29			686015-7	RECEPTACLE SLEEVE	2	PC.
30	1		191910-3	CARBON BRUSH CB-401 2PC/SET (W/O ORIGIN) - N/L/A	1	SET
	2		195005-4	CARBON BRUSH CB-401 2PC/SET (W/ ORIGIN)	1	SET
31			911124-6	PAN HEAD SCREW M4X14	1	PC.
32			421144-7	DUST COVER	1	PC.
33			650208-2	SWITCH TG833TB-1	1	PC.
34			664064-4	CORD W/PLUG 2P-18-2.5M, SJ	1	PC.
35			682502-4	CORD GUARD 8-85	1	PC.
36			687002-9	STRAIN RELIEF	1	PC.
37			911133-5	PAN HEAD SCREW M4X18	2	PC.
38			651478-6	SWITCH VTX11	1	PC.
39			911153-9	PAN HEAD SCREW M4X28	3	PC.
40			151865-4	HANDLE COVER COMPLETE (W/ EN, FR LABEL)	1	PC.
41			685717-2	SPONGE SHEET	1	PC.
42			411780-7	KEY HOLDER 10	1	PC.
100			654086-2	RECEPTACLE	2	PC.

#### **ACCESSORIES**

- See catalogue or visit [www.makita.ca](http://www.makita.ca) for more accessories information -

A01	1		763047-2A	1/2" DRILL CHUCK - N/L/A	1	PC.
	2		763078-1	1/2" DRILL CHUCK	1	PC.
A02	1		763434-5	CHUCK KEY 10	1	PC.
	2		763411-7A	CHUCK KEY	1	PC.

Item No	Type	Ref	Part No	Description	Qty	Unit
A03			122593-8	GRIP ASS'Y	1	PC.
		INC.	415485-1	GRIP BASE	1	PC.
		INC.	921919-9	HEX. BOLT M8X110	1	PC.
A04			824658-9	PLASTIC CARRYING CASE (6302HK)	1	PC.
A05			415486-9	DEPTH GAUGE	1	PC.